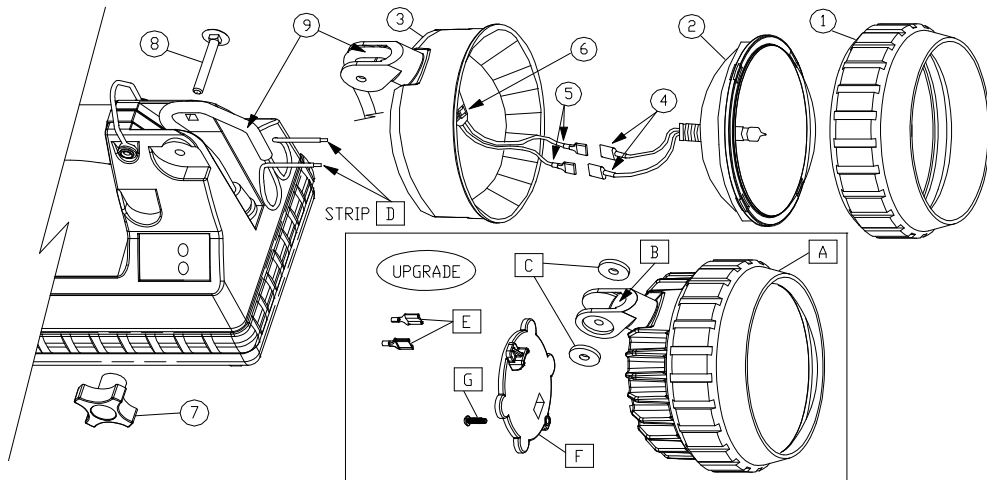


## E-FLOOD/E-SPOT UPGRADE KIT-INSTALLATION INSTRUCTION

**IMPORTANT: Light must be turned off when following this procedure.**

### REMOVAL

1. Remove Lamp Ring (Item 1). Separate Lamp Assembly (Item 2) from Swivel Head Assembly (Item 3) and disconnect terminals (Item 4 and 5).
2. Cut-off Lamp Terminals (Item 5) at the base of the terminal. Cut-off the Tie Wrap (Item 6) attaching the Wire Harness (Item 9) to the swivel Head Assembly.
3. Remove Knob (Item 7) and Carriage Bolt (Item 8).
4. Remove wire harness (Item 9) from Swivel Head (Item 3).



### INSTALLATION

1. Feed the wire harness (Item 9) through the hole in the swivel (Item B) on the Heat Sink Assembly (Item A).
2. Insert the two Swivel Washers (Item C) into either side of the swivel. Align the holes in the swivel with the holes in the body.
3. Install the Carriage Bolt (Item 8) through the body and the swivel. Align the square of the Carriage Bolt with the square on the body. Install Knob (item 7).
4. Strip the ends of the wire harness (Item D) and install the replacement Terminals (Item E).
5. Connect Terminals following color code as labeled on PCB.
6. Insert Head Cover (Item F). Install 4-40 x 3/8" Screw (Item G).